
Stream: Internet Engineering Task Force (IETF)
RFC: [9836](#)
Category: Standards Track
Published: September 2025
ISSN: 2070-1721
Authors: M. Boucadair, Ed. R. Roberts S. Barguil O. Gonzalez de Dios
Orange Juniper Nokia Telefonica

RFC 9836

A YANG Data Model for Augmenting VPN Service and Network Models with Attachment Circuits

Abstract

This document defines a YANG data model, referred to as the "AC Glue" model, to augment the LxVPN Service Model (LxSM) and LxVPN Network Model (LxNM) with references to attachment circuits (ACs). The AC Glue model enables a provider to associate Layer 2/3 VPN (LxVPN) services with the underlying AC infrastructure, thereby facilitating consistent provisioning and management of new or existing ACs in conjunction with LxVPN services. Specifically, by introducing an integrated approach to AC and LxVPN management, this model supports Attachment Circuit as a Service (ACaaS) and provides a standardized mechanism for aligning AC/VPN requests with the network configurations required to deliver them.

Status of This Memo

This is an Internet Standards Track document.

This document is a product of the Internet Engineering Task Force (IETF). It represents the consensus of the IETF community. It has received public review and has been approved for publication by the Internet Engineering Steering Group (IESG). Further information on Internet Standards is available in Section 2 of RFC 7841.

Information about the current status of this document, any errata, and how to provide feedback on it may be obtained at <https://www.rfc-editor.org/info/rfc9836>.

Copyright Notice

Copyright (c) 2025 IETF Trust and the persons identified as the document authors. All rights reserved.

This document is subject to BCP 78 and the IETF Trust's Legal Provisions Relating to IETF Documents (<https://trustee.ietf.org/license-info>) in effect on the date of publication of this document. Please review these documents carefully, as they describe your rights and restrictions

with respect to this document. Code Components extracted from this document must include Revised BSD License text as described in Section 4.e of the Trust Legal Provisions and are provided without warranty as described in the Revised BSD License.

Table of Contents

1. Introduction	2
2. Conventions and Definitions	3
3. Relationship to Other AC Data Models	4
4. Sample Uses of the Data Models	5
4.1. ACs Terminated by One or Multiple Customer Edges (CEs)	5
4.2. Separate AC Provisioning from Actual VPN Service Provisioning	6
5. Module Tree Structure	7
6. The AC Glue ("ietf-ac-glue") YANG Module	10
7. Security Considerations	14
8. IANA Considerations	15
9. References	16
9.1. Normative References	16
9.2. Informative References	17
Appendix A. Examples	18
A.1. A Service AC Reference Within the VPN Network Access	18
A.2. Network and Service AC References	21
Acknowledgments	30
Authors' Addresses	30

1. Introduction

To facilitate data transfer within the provider network, it is assumed that the appropriate setup is provisioned over the links that connect customer termination points and a provider network (usually via a Provider Edge (PE)), allowing data to be successfully exchanged over these links. The required setup is referred to in this document as an attachment circuit (AC), while the underlying link is referred to as "bearer".

The document specifies a YANG module ("ietf-ac-glue", [Section 6](#)) that updates existing service and network Virtual Private Network (VPN) modules with the required information to bind specific services to ACs that are created using the AC service model [\[RFC9834\]](#). Specifically, the following modules are augmented:

- The L2VPN Service Model (L2SM) [\[RFC8466\]](#)
- The L3VPN Service Model (L3SM) [\[RFC8299\]](#)
- The L2VPN Network Model (L2NM) [\[RFC9291\]](#)
- The L3VPN Network Model (L3NM) [\[RFC9182\]](#)

Likewise, the document augments the L2NM and L3NM with references to the ACs that are managed using the AC network model [\[RFC9835\]](#).

This approach allows operators to separate AC provisioning from actual VPN service provisioning. Refer to [Section 4.2](#) for more discussion.

The YANG data model in this document conforms to the Network Management Datastore Architecture (NMDA) defined in [\[RFC8342\]](#).

Examples to illustrate the use of the "ietf-ac-glue" module are provided in [Appendix A](#).

2. Conventions and Definitions

The meanings of the symbols in the YANG tree diagrams are defined in [\[RFC8340\]](#).

This document uses terms defined in [\[RFC9834\]](#).

LxSM refers to both the L2SM and the L3SM.

LxNM refers to both the L2NM and the L3NM.

The following terms are used in the module's prefixes:

ac: Attachment circuit

ntw: Network

ref: Reference

svc: Service

The names of data nodes are prefixed using the prefix associated with the corresponding imported YANG module as shown in [Table 1](#):

Prefix	Module	Reference
ac-svc	ietf-ac-svc	Section 6.2 of [RFC9834]

Prefix	Module	Reference
ac-ntw	ietf-ac-ntw	[RFC9835]
l2nm	ietf-l2vpn-ntw	[RFC9291]
l2vpn-svc	ietf-l2vpn-svc	[RFC8466]
l3nm	ietf-l3vpn-ntw	[RFC9182]
l3vpn-svc	ietf-l3vpn-svc	[RFC8299]

Table 1: Modules and Their Associated Prefixes

3. Relationship to Other AC Data Models

Figure 1 depicts the relationship between the various AC data models:

- "ietf-ac-common" [RFC9833]
- "ietf-bearer-svc" (Section 6.1 of [RFC9834])
- "ietf-ac-svc" (Section 6.2 of [RFC9834])
- "ietf-ac-ntw" [RFC9835]
- "ietf-ac-glue" (Section 6)

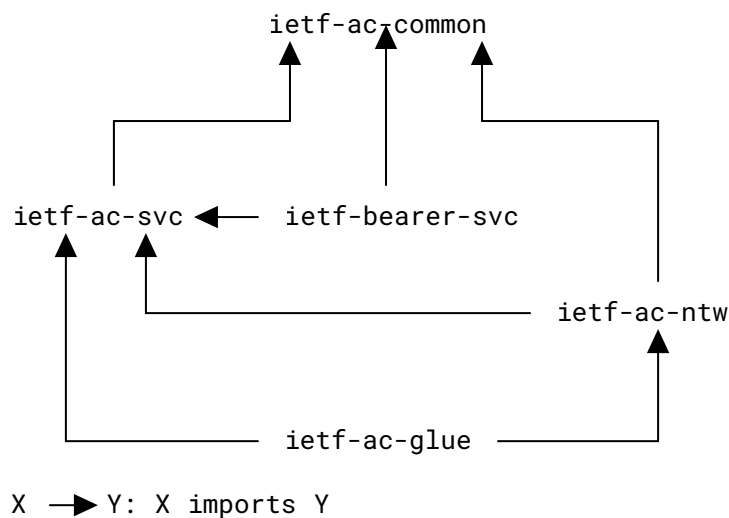


Figure 1: AC Data Models

The "ietf-ac-common" module is imported by the "ietf-bearer-svc", "ietf-ac-svc", and "ietf-ac-ntw" modules. Bearers managed using the "ietf-bearer-svc" module may be referenced by service ACs managed using the "ietf-ac-svc" module. Similarly, a bearer managed using the "ietf-bearer-svc"

module may list the set of ACs that use that bearer. To facilitate correlation between an AC service request and the actual AC provisioned in the network, "ietf-ac-ntw" leverages the AC references exposed by the "ietf-ac-svc" module. Furthermore, to bind Layer 2 VPN (L2VPN) or Layer 3 VPN (L3VPN) services with ACs, the "ietf-ac-glue" module augments the LxSM and LxNM with AC service references exposed by the "ietf-ac-svc" module and AC network references exposed by the "ietf-ac-ntw" module.

4. Sample Uses of the Data Models

4.1. ACs Terminated by One or Multiple Customer Edges (CEs)

[Figure 2](#) depicts two target topology flavors that involve ACs. These topologies have the following characteristics:

- A Customer Edge (CE) can be either a physical device or a logical entity. Such logical entity is typically a software component (e.g., a virtual service function that is hosted within the provider's network or a third-party infrastructure). A CE is seen by the network as a peer Service Attachment Point (SAP) [[RFC9408](#)].
- CEs may be either dedicated to one single connectivity service or host multiple connectivity services (e.g., CEs with roles of service functions [[RFC7665](#)]).
- A network provider may bind a single AC to one or multiple peer SAPs (e.g., CE1 and CE2 are tagged as peer SAPs for the same AC). For example, and as discussed in [[RFC4364](#)], multiple CEs can be attached to a PE over the same AC. This scenario is typically implemented when the Layer 2 infrastructure between the CE and the network is a multipoint service.
- A single CE may terminate multiple ACs, which can be associated with the same bearer or distinct bearers (e.g., CE4).
- Customers may request protection schemes in which the ACs associated with their endpoints are terminated by the same PE (e.g., CE3), distinct PEs (e.g., CE4), etc. The network provider uses this request to decide where to terminate the AC in the service provider network and also whether to enable specific capabilities (e.g., Virtual Router Redundancy Protocol (VRRP)).

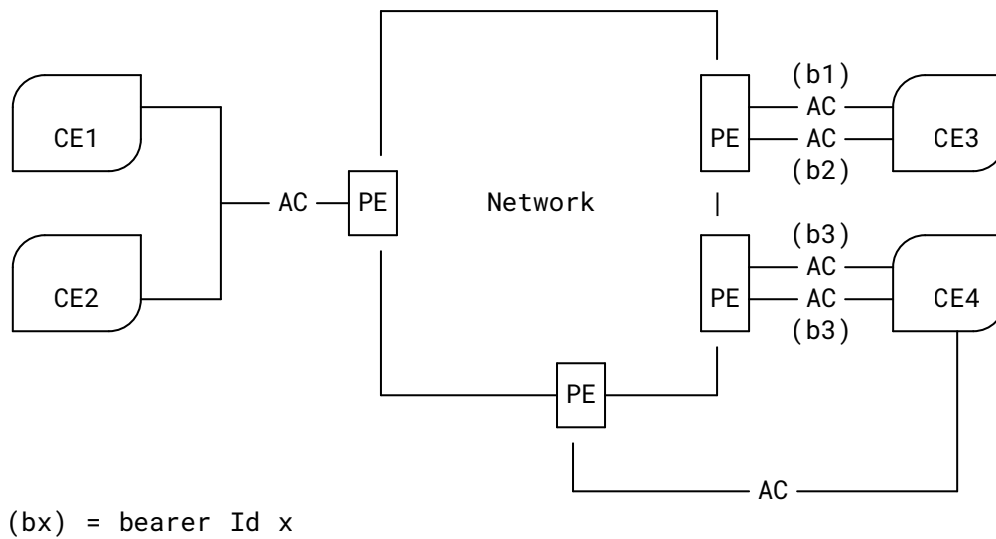


Figure 2: Examples of ACs

These ACs can be referenced when creating VPN services. Refer to the examples provided in [Appendix A](#) to illustrate how VPN services can be bound to ACs.

4.2. Separate AC Provisioning from Actual VPN Service Provisioning

The procedure to provision a service in a service provider network may depend on the practices adopted by a service provider. This includes the flow put in place for the provisioning of advanced network services and how they are bound to an AC. For example, a single AC may be used to host multiple connectivity services (e.g., L2VPN ("ietf-l2vpn-svc"), L3VPN ("ietf-l3vpn-svc"), Network Slice Service ("ietf-network-slice-service")). In order to avoid service interference and redundant information in various locations, a service provider may expose an interface to manage ACs network-wide using the modules in [\[RFC9834\]](#). Customers can request for an AC ("ietf-ac-svc") to be put in place and then refer to that AC when requesting VPN services that are bound to the AC ("ietf-ac-glue").

Also, internal references ("ietf-ac-ntw") used within a service provider network to implement ACs can be used by network controllers to glue the L2NM ("ietf-l2vpn-ntw") or the L3NM ("ietf-l3vpn-ntw") services with relevant ACs.

[Figure 3](#) shows the positioning of the AC models in the overall service delivery process.

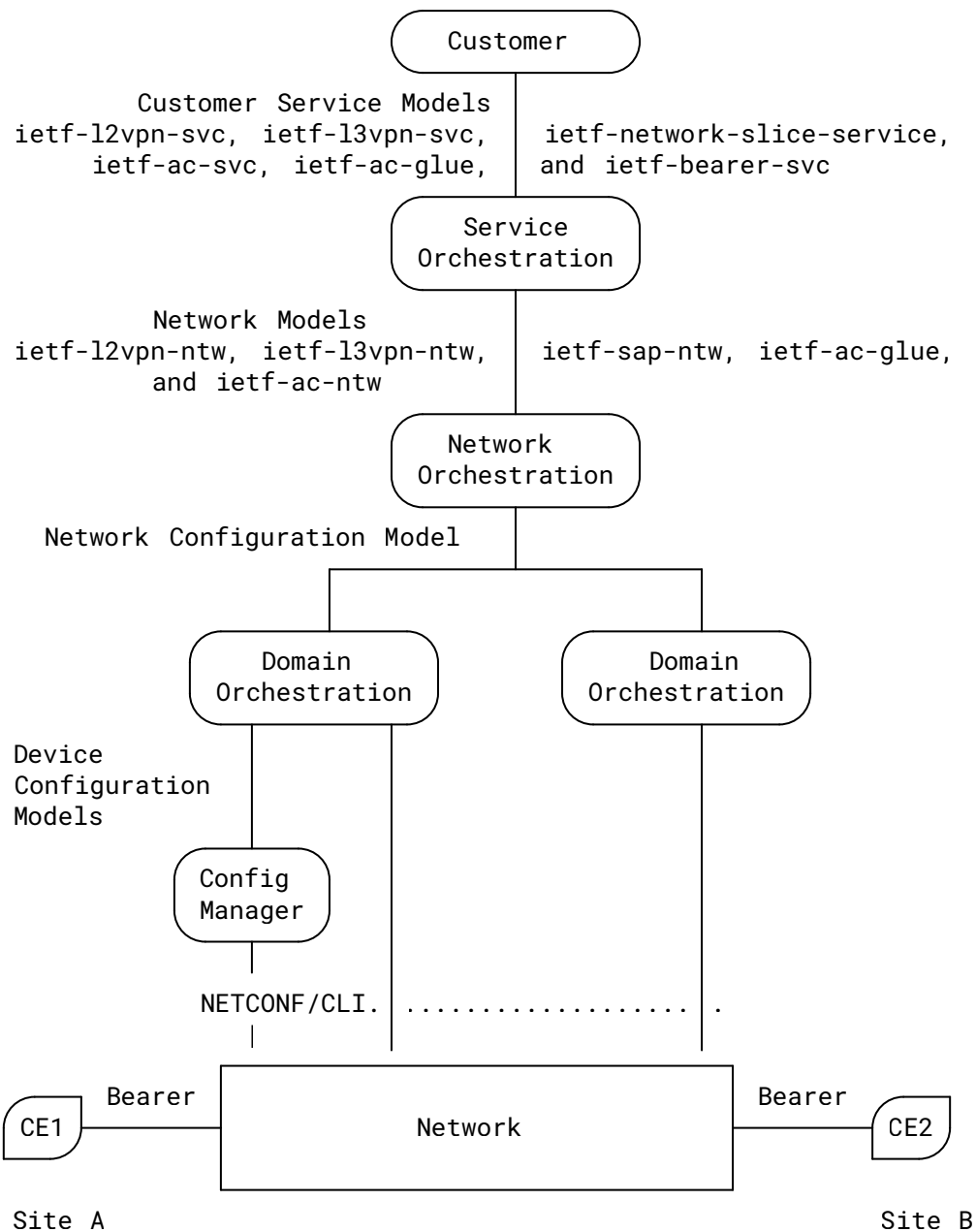


Figure 3: An Example of AC Models Usage

5. Module Tree Structure

[RFC8299] specifies that a 'site-network-access' attachment is achieved through a 'bearer' with an 'ip-connection' on top. From that standpoint, a 'site-network-access' is mapped to an AC with both Layer 2 and Layer 3 properties per [RFC9834]. [RFC8466] specifies that a 'site-network-

'access' represents a logical Layer 2 connection to a site. A 'site-network-access' can thus be mapped to an AC with Layer 2 properties [RFC9834]. Similarly, 'vpn-network-access' defined in both [RFC9182] and [RFC9291] is mapped to an AC per [RFC9834] or [RFC9835].

As such, ACs created using the "ietf-ac-svc" module [RFC9834] can be referenced in other VPN-related modules (e.g., LxSM and LxNM). Also, ACs managed using the "ietf-ac-ntw" module [RFC9835] can be referenced in VPN-related network modules (mainly, the LxNM). The required augmentations to that aim are shown in [Figure 4](#).


```

module: ietf-ac-glue

augment /l2vpn-svc:l2vpn-svc/l2vpn-svc:sites/l2vpn-svc:site
  /l2vpn-svc:site-network-accesses:
  +--rw ac-svc-ref*   ac-svc:attachment-circuit-reference
augment /l2vpn-svc:l2vpn-svc/l2vpn-svc:sites/l2vpn-svc:site
  /l2vpn-svc:site-network-accesses
  /l2vpn-svc:site-network-access:
  +--rw ac-svc-ref?  ac-svc:attachment-circuit-reference {ac-glue}?
augment /l3vpn-svc:l3vpn-svc/l3vpn-svc:sites/l3vpn-svc:site
  /l3vpn-svc:site-network-accesses:
  +--rw ac-svc-ref*   ac-svc:attachment-circuit-reference
augment /l3vpn-svc:l3vpn-svc/l3vpn-svc:sites/l3vpn-svc:site
  /l3vpn-svc:site-network-accesses
  /l3vpn-svc:site-network-access:
  +--rw ac-svc-ref?  ac-svc:attachment-circuit-reference {ac-glue}?
augment /l2nm:l2vpn-ntw/l2nm:vpn-services/l2nm:vpn-service
  /l2nm:vpn-nodes/l2nm:vpn-node/l2nm:vpn-network-accesses:
  +--rw ac-svc-ref*   ac-svc:attachment-circuit-reference
  +--rw ac-ntw-ref* [ac-ref]
  +--rw ac-ref        leafref
  +--rw node-ref?    leafref
  +--rw network-ref? -> /nw:networks/network/network-id
augment /l2nm:l2vpn-ntw/l2nm:vpn-services/l2nm:vpn-service
  /l2nm:vpn-nodes/l2nm:vpn-node/l2nm:vpn-network-accesses
  /l2nm:vpn-network-access:
  +--rw ac-svc-ref?  ac-svc:attachment-circuit-reference {ac-glue}?
  +--rw ac-ntw-ref {ac-glue}?
  +--rw ac-ref?     leafref
  +--rw node-ref?  leafref
  +--rw network-ref? -> /nw:networks/network/network-id
augment /l3nm:l3vpn-ntw/l3nm:vpn-services/l3nm:vpn-service
  /l3nm:vpn-nodes/l3nm:vpn-node/l3nm:vpn-network-accesses:
  +--rw ac-svc-ref*   ac-svc:attachment-circuit-reference
  +--rw ac-ntw-ref* [ac-ref]
  +--rw ac-ref        leafref
  +--rw node-ref?    leafref
  +--rw network-ref? -> /nw:networks/network/network-id
augment /l3nm:l3vpn-ntw/l3nm:vpn-services/l3nm:vpn-service
  /l3nm:vpn-nodes/l3nm:vpn-node/l3nm:vpn-network-accesses
  /l3nm:vpn-network-access:
  +--rw ac-svc-ref?  ac-svc:attachment-circuit-reference {ac-glue}?
  +--rw ac-ntw-ref {ac-glue}?
  +--rw ac-ref?     leafref
  +--rw node-ref?  leafref
  +--rw network-ref? -> /nw:networks/network/network-id

```

Figure 4: AC Glue Tree Structure

When an AC is referenced within a specific network access, that AC information takes precedence over any overlapping information that is also enclosed for this network access.

This approach is consistent with the design in [YANG-NSS] where an AC service reference, called 'ac-svc-ref', is used to indicate the names of AC services. As per [YANG-NSS], when both 'ac-svc-ref' and the attributes of 'attachment-circuits' are defined, the 'ac-svc-ref' takes precedence.

The "ietf-ac-glue" module includes provisions to reference ACs within or outside a VPN network access to accommodate deployment contexts where an AC reference may be created before or after a VPN instance is created. Appendix A.1 illustrates how an AC reference can be included as part of a specific VPN network access, while Appendix A.2 shows how AC references can be indicated outside individual VPN network access entries.

6. The AC Glue ("ietf-ac-glue") YANG Module

This module augments the L2SM [RFC8466], the L3SM [RFC8299], the L2NM [RFC9291], and the L3NM [RFC9182].

This module uses references defined in [RFC9834] and [RFC9835].

```
<CODE BEGINS> file "ietf-ac-glue@2025-09-29.yang"

module ietf-ac-glue {
  yang-version 1.1;
  namespace "urn:ietf:params:xml:ns:yang:ietf-ac-glue";
  prefix ac-glue;

  import ietf-l3vpn-svc {
    prefix l3vpn-svc;
    reference
      "RFC 8299: YANG Data Model for L3VPN Service Delivery";
  }
  import ietf-l2vpn-svc {
    prefix l2vpn-svc;
    reference
      "RFC 8466: A YANG Data Model for Layer 2 Virtual Private
      Network (L2VPN) Service Delivery";
  }
  import ietf-l3vpn-ntw {
    prefix l3nm;
    reference
      "RFC 9182: A YANG Network Data Model for Layer 3 VPNs";
  }
  import ietf-l2vpn-ntw {
    prefix l2nm;
    reference
      "RFC 9291: A YANG Network Data Model for Layer 2 VPNs";
  }
  import ietf-ac-svc {
    prefix ac-svc;
    reference
      "RFC 9834: YANG Data Models for Bearers and Attachment
      Circuits as a Service (ACaaS)";
  }
}
```

```
import ietf-ac-ntw {
  prefix ac-ntw;
  reference
    "RFC 9835: A Network YANG Data Model for Attachment Circuits";
}

organization
  "IETF OPSAWG (Operations and Management Area Working Group)";
contact
  "WG Web: <https://datatracker.ietf.org/wg/opsawg/>
  WG List: <mailto:opsawg@ietf.org>

  Editor: Mohamed Boucadair
         <mailto:mohamed.boucadair@orange.com>
  Author: Richard Roberts
         <mailto:rroberts@juniper.net>
  Author: Samier Barguil
         <mailto:ssamier.barguil_giraldo@nokia.com>
  Author: Oscar Gonzalez de Dios
         <mailto:oscar.gonzalezdedios@telefonica.com>";
description
  "This YANG module defines a YANG data model for augmenting the
  LxSM and the LxNM with AC references.

  Copyright (c) 2025 IETF Trust and the persons identified as
  authors of the code. All rights reserved.

  Redistribution and use in source and binary forms, with or
  without modification, is permitted pursuant to, and subject
  to the license terms contained in, the Revised BSD License
  set forth in Section 4.c of the IETF Trust's Legal Provisions
  Relating to IETF Documents
  (https://trustee.ietf.org/license-info).

  This version of this YANG module is part of RFC 9836; see the
  RFC itself for full legal notices.";

revision 2025-09-29 {
  description
    "Initial revision.";
  reference
    "RFC 9836: A YANG Data Model for Augmenting VPN Service
    and Network Models with Attachment Circuits";
}

feature ac-glue {
  description
    "The VPN implementation supports binding a specific VPN
    network access or site access to an AC.";
}

grouping single-ac-svc-ref {
  description
    "A grouping with a single reference to a service AC.";
  leaf ac-svc-ref {
    type ac-svc:attachment-circuit-reference;
    description
      "A reference to the AC as exposed at the service that was
```

```
        provisioned using the ACaaS module.";
    }
}

grouping single-ac-svc-ntw-ref {
    description
        "A grouping with single AC references.";
    leaf ac-svc-ref {
        type ac-svc:attachment-circuit-reference;
        description
            "A reference to the AC as exposed at the service that was
            provisioned using the ACaaS module.";
    }
    container ac-ntw-ref {
        description
            "A reference to the AC that was provisioned using the AC
            network module.";
        uses ac-ntw:attachment-circuit-reference;
    }
}

grouping ac-svc-ref {
    description
        "A set of service-specific AC-related data.";
    leaf-list ac-svc-ref {
        type ac-svc:attachment-circuit-reference;
        description
            "A reference to the AC as exposed at the service that was
            provisioned using the ACaaS module.";
    }
}

grouping ac-svc-ntw-ref {
    description
        "A set of AC-related data.";
    leaf-list ac-svc-ref {
        type ac-svc:attachment-circuit-reference;
        description
            "A reference to the AC as exposed at the service that was
            provisioned using the ACaaS module.";
    }
    list ac-ntw-ref {
        key "ac-ref";
        description
            "A reference to the AC that was provisioned using the AC
            network module.";
        uses ac-ntw:attachment-circuit-reference;
    }
}

augment "/l2vpn-svc:l2vpn-svc"
    + "/l2vpn-svc:sites/l2vpn-svc:site"
    + "/l2vpn-svc:site-network-accesses" {
    description
        "Augments VPN site network accesses with AC provisioning
        details. Concretely, it binds a site to a set of ACs with
        Layer 2 properties that were created using the ACaaS module.";
    uses ac-svc-ref;
}
```

```

}

augment "/l2vpn-svc:l2vpn-svc"
  + "/l2vpn-svc:sites/l2vpn-svc:site"
  + "/l2vpn-svc:site-network-accesses"
  + "/l2vpn-svc:site-network-access" {
  if-feature "ac-glue";
  description
    "Augments VPN site network access with AC provisioning
    details. Concretely, it glues a 'site-network-access'
    to an AC with Layer 2 properties that was created using the
    ACaaS module.

    The ACaaS information takes precedence over any overlapping
    information that is also provided for a site network access.";
  uses single-ac-svc-ref;
}

augment "/l3vpn-svc:l3vpn-svc"
  + "/l3vpn-svc:sites/l3vpn-svc:site"
  + "/l3vpn-svc:site-network-accesses" {
  description
    "Augments VPN site network accesses with AC provisioning
    details. Concretely, it binds a site to a set of ACs with
    both Layer 2 and Layer 3 properties that were created using
    the ACaaS module.";
  uses ac-svc-ref;
}

augment "/l3vpn-svc:l3vpn-svc"
  + "/l3vpn-svc:sites/l3vpn-svc:site"
  + "/l3vpn-svc:site-network-accesses"
  + "/l3vpn-svc:site-network-access" {
  if-feature "ac-glue";
  description
    "Augments VPN site network access with AC provisioning
    details. Concretely, it glues a 'site-network-access' to an
    AC with both Layer 2 and Layer 3 properties that was created
    using the ACaaS module.

    The ACaaS information takes precedence over any overlapping
    information that is also provided for a site network access.";
  uses single-ac-svc-ref;
}

augment "/l2nm:l2vpn-ntw/l2nm:vpn-services/l2nm:vpn-service"
  + "/l2nm:vpn-nodes/l2nm:vpn-node"
  + "/l2nm:vpn-network-accesses" {
  description
    "Augments VPN network accesses with both service and network
    AC provisioning details. Concretely, it binds a site to (1)
    a set of ACs with Layer 2 properties that were created using
    the ACaaS module and (2) a set of ACs with Layer 2 properties
    that were provisioned using the AC network model.";
  uses ac-svc-ntw-ref;
}

augment "/l2nm:l2vpn-ntw/l2nm:vpn-services/l2nm:vpn-service"

```

```

    + "/l2nm:vpn-nodes/l2nm:vpn-node"
    + "/l2nm:vpn-network-accesses"
    + "/l2nm:vpn-network-access" {
if-feature "ac-glue";
description
  "Augments VPN network access with service and network
  references to an AC. Concretely, it glues a VPN network
  access to (1) an AC with Layer 2 properties
  that was created using the ACaaS module and (2) an AC with
  Layer 2 properties that was created using the AC network
  module.

  The AC service and network information takes precedence over
  any overlapping information that is also provided for a VPN
  network access.";
uses single-ac-svc-ntw-ref;
}

augment "/l3nm:l3vpn-ntw/l3nm:vpn-services/l3nm:vpn-service"
  + "/l3nm:vpn-nodes/l3nm:vpn-node"
  + "/l3nm:vpn-network-accesses" {
description
  "Augments VPN network accesses with both service and network
  AC provisioning details. Concretely, it binds a site to (1)
  a set of ACs with both Layer 2 and Layer 3 properties that
  were created using the ACaaS module and (2) a set of ACs with
  both Layer 2 and Layer 3 properties that were provisioned
  using the AC network model.";
uses ac-svc-ntw-ref;
}

augment "/l3nm:l3vpn-ntw/l3nm:vpn-services/l3nm:vpn-service"
  + "/l3nm:vpn-nodes/l3nm:vpn-node"
  + "/l3nm:vpn-network-accesses"
  + "/l3nm:vpn-network-access" {
if-feature "ac-glue";
description
  "Augments VPN network access with service and network
  references to an AC. Concretely, it glues a VPN network
  access to (1) an AC with both Layer 2 and Layer 3 properties
  that was created using the ACaaS module and (2) an AC with
  both Layer 2 and Layer 3 properties that was created using the
  AC network module.

  The AC service and network information takes precedence over
  any overlapping information that is also provided for a VPN
  network access.";
uses single-ac-svc-ntw-ref;
}
}
}
<CODE ENDS>

```

7. Security Considerations

This section is modeled after the template described in [Section 3.7](#) of [\[YANG-GUIDELINES\]](#).

The "ietf-ac-common" YANG module defines a data model that is designed to be accessed via YANG-based management protocols, such as NETCONF [RFC6241] and RESTCONF [RFC8040]. These protocols have to use a secure transport layer (e.g., SSH [RFC4252], TLS [RFC8446], and QUIC [RFC9000]) and have to use mutual authentication.

The Network Configuration Access Control Model (NACM) [RFC8341] provides the means to restrict access for particular NETCONF or RESTCONF users to a preconfigured subset of all available NETCONF or RESTCONF protocol operations and content.

There are a number of data nodes defined in this YANG module that are writable/creatable/deletable (i.e., "config true", which is the default). All writable data nodes are likely to be reasonably sensitive or vulnerable in some network environments. Write operations (e.g., edit-config) and delete operations to these data nodes without proper protection or authentication can have a negative effect on network operations. The following subtrees and data nodes have particular sensitivities/vulnerabilities:

'ac-svc-ref' and 'ac-ntw-ref': An attacker who is able to access network nodes can undertake various attacks, such as deleting a running VPN service, interrupting all the traffic of a client. Specifically, an attacker may modify (including delete) the ACs that are bound to a running service, leading to malfunctioning of the service and therefore to Service Level Agreement (SLA) violations. Such activity can be detected by adequately monitoring and tracking network configuration changes.

Some of the readable data nodes in this YANG module may be considered sensitive or vulnerable in some network environments. It is thus important to control read access (e.g., via get, get-config, or notification) to these data nodes. Specifically, the following subtrees and data nodes have particular sensitivities/vulnerabilities:

'ac-svc-ref' and 'ac-ntw-ref': These references do not expose privacy-related information per se; however, 'ac-svc-ref' may be used to track the set of VPN instances in which a given customer is involved.

Note that, unlike 'ac-svc-ref', 'ac-ntw-ref' is unique within the scope of a node and may multiplex many peer CEs.

8. IANA Considerations

IANA has registered the following URI in the "ns" subregistry within the "IETF XML Registry" [RFC3688]:

URI: urn:ietf:params:xml:ns:yang:ietf-ac-glue

Registrant Contact: The IESG.

XML: N/A; the requested URI is an XML namespace.

IANA has registered the following YANG module in the "YANG Module Names" registry [RFC6020] within the "YANG Parameters" registry group:

Name: ietf-ac-glue
Maintained by IANA? N
Namespace: urn:ietf:params:xml:ns:yang:ietf-ac-glue
Prefix: ac-glue
Reference: RFC 9836

9. References

9.1. Normative References

- [RFC3688] Mealling, M., "The IETF XML Registry", BCP 81, RFC 3688, DOI 10.17487/RFC3688, January 2004, <<https://www.rfc-editor.org/info/rfc3688>>.
- [RFC6020] Bjorklund, M., Ed., "YANG - A Data Modeling Language for the Network Configuration Protocol (NETCONF)", RFC 6020, DOI 10.17487/RFC6020, October 2010, <<https://www.rfc-editor.org/info/rfc6020>>.
- [RFC8299] Wu, Q., Ed., Litkowski, S., Tomotaki, L., and K. Ogaki, "YANG Data Model for L3VPN Service Delivery", RFC 8299, DOI 10.17487/RFC8299, January 2018, <<https://www.rfc-editor.org/info/rfc8299>>.
- [RFC8341] Bierman, A. and M. Bjorklund, "Network Configuration Access Control Model", STD 91, RFC 8341, DOI 10.17487/RFC8341, March 2018, <<https://www.rfc-editor.org/info/rfc8341>>.
- [RFC8342] Bjorklund, M., Schoenwaelder, J., Shafer, P., Watsen, K., and R. Wilton, "Network Management Datastore Architecture (NMDA)", RFC 8342, DOI 10.17487/RFC8342, March 2018, <<https://www.rfc-editor.org/info/rfc8342>>.
- [RFC8466] Wen, B., Fioccola, G., Ed., Xie, C., and L. Jalil, "A YANG Data Model for Layer 2 Virtual Private Network (L2VPN) Service Delivery", RFC 8466, DOI 10.17487/RFC8466, October 2018, <<https://www.rfc-editor.org/info/rfc8466>>.
- [RFC9182] Barguil, S., Gonzalez de Dios, O., Ed., Boucadair, M., Ed., Munoz, L., and A. Aguado, "A YANG Network Data Model for Layer 3 VPNs", RFC 9182, DOI 10.17487/RFC9182, February 2022, <<https://www.rfc-editor.org/info/rfc9182>>.
- [RFC9291] Boucadair, M., Ed., Gonzalez de Dios, O., Ed., Barguil, S., and L. Munoz, "A YANG Network Data Model for Layer 2 VPNs", RFC 9291, DOI 10.17487/RFC9291, September 2022, <<https://www.rfc-editor.org/info/rfc9291>>.
- [RFC9834] Boucadair, M., Ed., Roberts, R., Ed., Gonzalez de Dios, O., Barguil, S., and B. Wu, "YANG Data Models for Bearers and Attachment Circuits as a Service (ACaaS)", RFC 9834, DOI 10.17487/RFC9834, September 2025, <<https://www.rfc-editor.org/info/rfc9834>>.

- [RFC9835] Boucadair, M., Ed., Roberts, R., Gonzalez de Dios, O., Barguil, S., and B. Wu, "A Network YANG Data Model for Attachment Circuits", RFC 9835, DOI 10.17487/RFC9835, September 2025, <<https://www.rfc-editor.org/info/rfc9835>>.

9.2. Informative References

- [RFC4252] Ylonen, T. and C. Lonvick, Ed., "The Secure Shell (SSH) Authentication Protocol", RFC 4252, DOI 10.17487/RFC4252, January 2006, <<https://www.rfc-editor.org/info/rfc4252>>.
- [RFC4364] Rosen, E. and Y. Rekhter, "BGP/MPLS IP Virtual Private Networks (VPNs)", RFC 4364, DOI 10.17487/RFC4364, February 2006, <<https://www.rfc-editor.org/info/rfc4364>>.
- [RFC4664] Andersson, L., Ed. and E. Rosen, Ed., "Framework for Layer 2 Virtual Private Networks (L2VPNs)", RFC 4664, DOI 10.17487/RFC4664, September 2006, <<https://www.rfc-editor.org/info/rfc4664>>.
- [RFC6241] Enns, R., Ed., Bjorklund, M., Ed., Schoenwaelder, J., Ed., and A. Bierman, Ed., "Network Configuration Protocol (NETCONF)", RFC 6241, DOI 10.17487/RFC6241, June 2011, <<https://www.rfc-editor.org/info/rfc6241>>.
- [RFC7665] Halpern, J., Ed. and C. Pignataro, Ed., "Service Function Chaining (SFC) Architecture", RFC 7665, DOI 10.17487/RFC7665, October 2015, <<https://www.rfc-editor.org/info/rfc7665>>.
- [RFC8040] Bierman, A., Bjorklund, M., and K. Watsen, "RESTCONF Protocol", RFC 8040, DOI 10.17487/RFC8040, January 2017, <<https://www.rfc-editor.org/info/rfc8040>>.
- [RFC8340] Bjorklund, M. and L. Berger, Ed., "YANG Tree Diagrams", BCP 215, RFC 8340, DOI 10.17487/RFC8340, March 2018, <<https://www.rfc-editor.org/info/rfc8340>>.
- [RFC8446] Rescorla, E., "The Transport Layer Security (TLS) Protocol Version 1.3", RFC 8446, DOI 10.17487/RFC8446, August 2018, <<https://www.rfc-editor.org/info/rfc8446>>.
- [RFC9000] Iyengar, J., Ed. and M. Thomson, Ed., "QUIC: A UDP-Based Multiplexed and Secure Transport", RFC 9000, DOI 10.17487/RFC9000, May 2021, <<https://www.rfc-editor.org/info/rfc9000>>.
- [RFC9408] Boucadair, M., Ed., Gonzalez de Dios, O., Barguil, S., Wu, Q., and V. Lopez, "A YANG Network Data Model for Service Attachment Points (SAPs)", RFC 9408, DOI 10.17487/RFC9408, June 2023, <<https://www.rfc-editor.org/info/rfc9408>>.
- [RFC9833] Boucadair, M., Ed., Roberts, R., Ed., Gonzalez de Dios, O., Barguil, S., and B. Wu, "A Common YANG Data Model for Attachment Circuits", RFC 9833, DOI 10.17487/RFC9833, September 2025, <<https://www.rfc-editor.org/info/rfc9833>>.

[YANG-GUIDELINES] Bierman, A., Boucadair, M., Ed., and Q. Wu, "Guidelines for Authors and Reviewers of Documents Containing YANG Data Models", Work in Progress, Internet-Draft, draft-ietf-netmod-rfc8407bis-22, 14 January 2025, <<https://datatracker.ietf.org/doc/html/draft-ietf-netmod-rfc8407bis-22>>.

[YANG-NSS] Wu, B., Dhody, D., Rokui, R., Saad, T., and J. Mullooly, "A YANG Data Model for the RFC 9543 Network Slice Service", Work in Progress, Internet-Draft, draft-ietf-teas-ietf-network-slice-nbi-yang-25, 9 May 2025, <<https://datatracker.ietf.org/doc/html/draft-ietf-teas-ietf-network-slice-nbi-yang-25>>.

Appendix A. Examples

A.1. A Service AC Reference Within the VPN Network Access

Let us consider the example depicted in [Figure 5](#), which is inspired from [Section 2.1](#) of [\[RFC4664\]](#). Each PE is servicing two CEs. Let us also assume that the service references to identify ACs with these CEs are shown in [Figure 5](#).

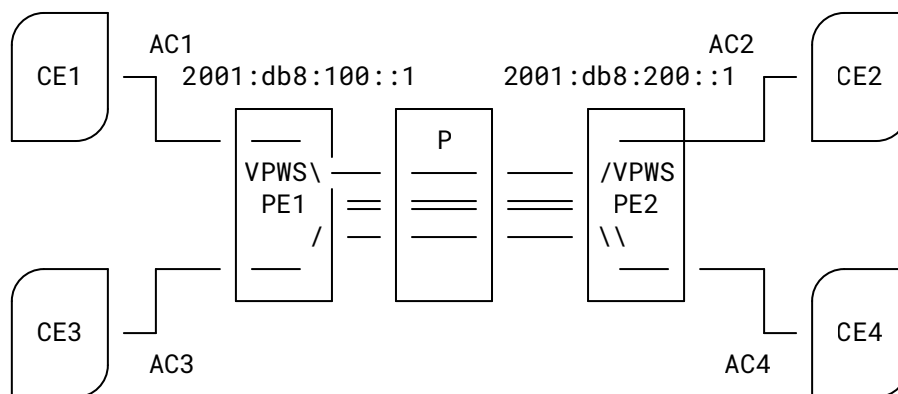


Figure 5: VPWS Topology Example

As shown in [Figure 6](#), the service AC references can be explicitly indicated in the L2NM query for the realization of the Virtual Private Wire Service (VPWS) ([Section 3.1.1](#) of [\[RFC4664\]](#)).

===== NOTE: '\ ' line wrapping per RFC 8792 =====

```
{
  "ietf-l2vpn-ntw:l2vpn-ntw":{
    "vpn-services":{
      "vpn-service":[
        {
          "vpn-id":"vpws12345",
          "vpn-description":"Sample VPWS with AC service \
                               references",
          "customer-name":"customer-12345",
          "vpn-type":"ietf-vpn-common:vpws",
          "bgp-ad-enabled":true,
          "signaling-type":"ietf-vpn-common:ldp-signaling",
          "global-parameters-profiles":{
            "global-parameters-profile":[
              {
                "profile-id":"simple-profile",
                "local-autonomous-system":65550,
                "rd-auto":{
                  "auto":[
                    null
                  ]
                },
                "vpn-target":[
                  {
                    "id":1,
                    "route-targets":[
                      {
                        "route-target":"0:65535:1"
                      }
                    ],
                    "route-target-type":"both"
                  }
                ]
              }
            ]
          },
          "vpn-nodes":{
            "vpn-node":[
              {
                "vpn-node-id":"pe1",
                "ne-id":"2001:db8:100::1",
                "active-global-parameters-profiles":{
                  "global-parameters-profile":[
                    {
                      "profile-id":"simple-profile"
                    }
                  ]
                },
                "bgp-auto-discovery":{
                  "vpn-id":"587"
                },
                "signaling-option":{
                  "advertise-mtu":true,
                  "ldp-or-l2tp":{
                    "sai":1,

```

```

        "remote-targets":[
            {
                "taii":2
            }
        ],
        "t-ldp-pw-type":"ethernet"
    }
},
"vpn-network-accesses":{
    "vpn-network-access":[
        {
            "id":"1/1/1.1",
            "interface-id":"1/1/1",
            "description":"Interface to CE1",
            "active-vpn-node-profile":"simple-\
profile",
            "status":{
                "admin-status":{
                    "status":"ietf-vpn-common:\
admin-up"
                },
                "ietf-ac-glue:ac-svc-ref":"AC1"
            }
        },
        {
            "id":"1/1/3.1",
            "interface-id":"1/1/3",
            "description":"Interface to CE3",
            "active-vpn-node-profile":"simple-\
profile",
            "status":{
                "admin-status":{
                    "status":"ietf-vpn-common:\
admin-up"
                },
                "ietf-ac-glue:ac-svc-ref":"AC3"
            }
        }
    ]
}
},
{
    "vpn-node-id":"pe2",
    "ne-id":"2001:db8:200::1",
    "active-global-parameters-profiles":{
        "global-parameters-profile":[
            {
                "profile-id":"simple-profile"
            }
        ]
    },
    "bgp-auto-discovery":{
        "vpn-id":"587"
    },
    "signaling-option":{
        "advertise-mtu":true,
        "ldp-or-l2tp":{
            "saii":2,

```

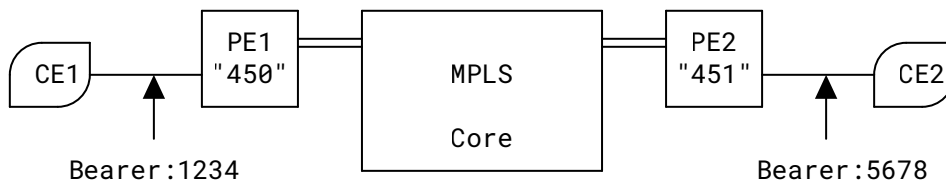



Figure 7: Topology Example

The AC service model [RFC9834] can be used by the provider to manage and expose the ACs over existing bearers as shown in [Figure 8](#).

```

{
  "ietf-ac-svc:attachment-circuits": {
    "ac-group-profile": [
      {
        "name": "an-ac-profile",
        "l2-connection": {
          "encapsulation": {
            "type": "ietf-vpn-common:dot1q",
            "dot1q": {
              "tag-type": "ietf-vpn-common:c-vlan",
              "cvlan-id": 550
            }
          }
        }
      },
      {
        "service": {
          "mtu": 1550,
          "svc-pe-to-ce-bandwidth": {
            "bandwidth": [
              {
                "bw-type": "ietf-vpn-common:bw-per-port",
                "cir": "20480000"
              }
            ]
          },
          "svc-ce-to-pe-bandwidth": {
            "bandwidth": [
              {
                "bw-type": "ietf-vpn-common:bw-per-port",
                "cir": "20480000"
              }
            ]
          }
        },
        "qos": {
          "qos-profiles": {
            "qos-profile": [
              {
                "profile": "QoS_Profile_A",
                "direction": "ietf-vpn-common:both"
              }
            ]
          }
        }
      }
    ]
  },
  "ac": [
    {
      "name": "ac-1",
      "description": "First attachment",
      "ac-group-profile": [
        "an-ac-profile"
      ],
      "l2-connection": {
        "bearer-reference": "1234"
      }
    }
  ],
  {

```

```

    "name": "ac-2",
    "description": "Second attachment",
    "ac-group-profile": [
      "an-ac-profile"
    ],
    "l2-connection": {
      "bearer-reference": "5678"
    }
  }
]
}
}

```

Figure 8: ACs Created Using ACaaS

Let us now consider that the customer wants to request a Virtual Private LAN Service (VPLS) instance between the sites as shown in Figure 9.

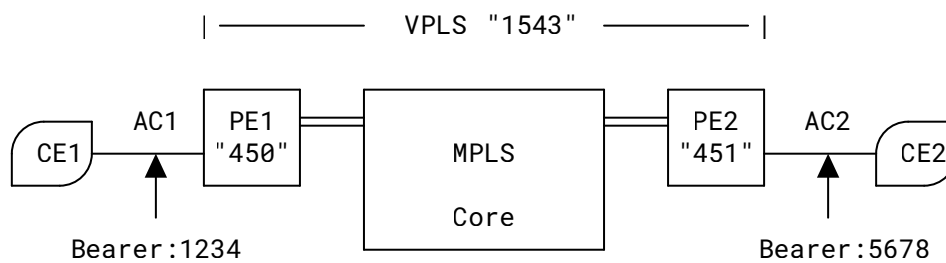


Figure 9: Example of VPLS

To that aim, existing ACs are referenced during the creation of the VPLS instance using the L2NM [RFC9291] and the "ietf-ac-glue" module as shown in Figure 10.


```

{
  "ietf-l2vpn-ntw:l2vpn-ntw": {
    "vpn-services": {
      "vpn-service": [
        {
          "vpn-id": "1543",
          "vpn-name": "CORPO-EXAMPLE",
          "customer-name": "EXAMPLE",
          "vpn-type": "ietf-vpn-common:vpls",
          "vpn-service-topology": "ietf-vpn-common:hub-spoke",
          "bgp-ad-enabled": false,
          "signaling-type": "ietf-vpn-common:ldp-signaling",
          "global-parameters-profiles": {
            "global-parameters-profile": [
              {
                "profile-id": "simple-profile",
                "ce-vlan-preservation": true,
                "ce-vlan-cos-preservation": true
              }
            ]
          },
          "vpn-nodes": {
            "vpn-node": [
              {
                "vpn-node-id": "450",
                "ne-id": "2001:db8:5::1",
                "role": "ietf-vpn-common:hub-role",
                "status": {
                  "admin-status": {
                    "status": "ietf-vpn-common:admin-up"
                  }
                },
                "active-global-parameters-profiles": {
                  "global-parameters-profile": [
                    {
                      "profile-id": "simple-profile"
                    }
                  ]
                },
                "signaling-option": {
                  "ldp-or-l2tp": {
                    "t-ldp-pw-type": "vpls-type",
                    "pw-peer-list": [
                      {
                        "peer-addr": "2001:db8:50::1",
                        "vc-id": "1543"
                      }
                    ]
                  }
                },
                "vpn-network-accesses": {
                  "ietf-ac-glue:ac-svc-ref": ["ac-1"]
                }
              },
              {
                "vpn-node-id": "451",
                "ne-id": "2001:db8:50::1",

```



```
{
  "ietf-sap-ntw:service": [
    {
      "service-type": "ietf-vpn-common:vpls",
      "sap": [
        {
          "sap-id": "sap#1",
          "peer-sap-id": [
            "ce-1"
          ],
          "description": "A parent SAP",
          "attachment-interface": "GE0/6/1",
          "interface-type": "ietf-sap-ntw:phy",
          "role": "ietf-sap-ntw:uni",
          "allows-child-saps": true,
          "sap-status": {
            "status": "ietf-vpn-common:op-up"
          }
        }
      ]
    }
  ]
}
```

Figure 11: Example of SAP Response (Message Body)

The response in [Figure 11](#) indicates that the VPLS service can be delivered to CE1. The "ietf-ac-ntw" module [[RFC9835](#)] can be also used to access AC-related details that are bound to the target SAP ([Figure 12](#)).

```

{
  "ietf-sap-ntw:service": [
    {
      "service-type": "ietf-vpn-common:vp1s",
      "sap": [
        {
          "sap-id": "sap#1",
          "peer-sap-id": [
            "ce-1"
          ],
          "description": "A parent SAP",
          "attachment-interface": "GE0/6/1",
          "interface-type": "ietf-sap-ntw:phy",
          "role": "ietf-sap-ntw:uni",
          "allows-child-saps": true,
          "sap-status": {
            "status": "ietf-vpn-common:op-up"
          }
        },
        {
          "sap-id": "sap#11",
          "description": "A child SAP",
          "parent-termination-point": "GE0/6/4",
          "attachment-interface": "GE0/6/4.2",
          "interface-type": "ietf-sap-ntw:logical",
          "encapsulation-type": "ietf-vpn-common:vlan-type",
          "sap-status": {
            "status": "ietf-vpn-common:op-up"
          }
        },
        "ietf-ac-ntw:ac": [
          {
            "ac-ref": "ac-1",
            "node-ref": "example:pe2",
            "network-ref": "example:an-id"
          }
        ]
      ]
    }
  ]
}

```

Figure 12: Example of AC Network Response with SAP (Message Body)

The provisioned AC at PE1 can be retrieved using the AC network model [RFC9835] as depicted in Figure 13.

```

{
  "ietf-ac-ntw:ac": [
    {
      "name": "ac-11",
      "svc-ref": "ac-1",
      "peer-sap-id": [
        "ce-1"
      ],
      "status": {
        "admin-status": {
          "status": "ietf-vpn-common:admin-up"
        },
        "oper-status": {
          "status": "ietf-vpn-common:op-up"
        }
      },
      "l2-connection": {
        "encapsulation": {
          "encap-type": "ietf-vpn-common:dot1q",
          "dot1q": {
            "tag-type": "ietf-vpn-common:c-vlan",
            "cvlan-id": 550
          }
        }
      },
      "bearer-reference": "1234"
    },
    "service": {
      "mtu": 1550,
      "svc-pe-to-ce-bandwidth": {
        "bandwidth": [
          {
            "bw-type": "ietf-vpn-common:bw-per-port",
            "cir": "20480000"
          }
        ]
      },
      "svc-ce-to-pe-bandwidth": {
        "bandwidth": [
          {
            "bw-type": "ietf-vpn-common:bw-per-port",
            "cir": "20480000"
          }
        ]
      },
      "qos": {
        "qos-profiles": {
          "qos-profile": [
            {
              "qos-profile-ref": "QoS_Profile_A",
              "network-ref": "example:an-id",
              "direction": "ietf-vpn-common:both"
            }
          ]
        }
      }
    }
  ]
}

```

```
]
}
```

Figure 13: Example of AC Network Response (Message Body)

Acknowledgments

Thanks to Bo Wu and Qin Wu for the review and comments.

Thanks to Martin Björklund for the YANG Doctors review, Gyan Mishra for the RTGDIR review, Ron Bonica for the OPSDIR review, Reese Enghardt for the GENART review, and Prachi Jain for the SECDIR review.

Thanks to Mahesh Jethanandani for the AD review.

Thanks to Gunter Van de Velde for the IESG review.

Authors' Addresses

Mohamed Boucadair (EDITOR)

Orange

Email: mohamed.boucadair@orange.com

Richard Roberts

Juniper

Email: rroberts@juniper.net

Samier Barguil

Nokia

Email: samier.barguil_giraldo@nokia.com

Oscar Gonzalez de Dios

Telefonica

Email: oscar.gonzalezdedios@telefonica.com